



SeceuroDoor
For Agricultural Buildings

Welcome to the SeceuroDoor range of steel Commercial & 3 Phase industrial doors

SeceuroDoor products have been protecting properties since 1985.

Our steel commercial and 3 phase industrial doors are a robust alternative to our aluminium range of security products yet still offer versatility through the ultimate choice our complete range offers. Encompassed within the SeceuroDoor range is an LPCB approved shutter, an insulated shutter, 3 phase shutters and LT versions. A wide choice of colours and finishes are available and by the use of different gauge slats we are able to accommodate even larger sizes than ever before.

All products are supplied and installed through your local approved distributor who will be able to offer expert guidance and advice to ensure a tailor made solution.

All SeceuroDoor products are:

- ✓ Made to measure for a tailor made solution
- ✓ Manufactured in the UK
- ✓ CE Marked – Investing in a CE marked product means you are purchasing a product that is fully compliant with all European directives
- ✓ Approved LBCB products available
- ✓ SWS UK is an ISO9001 Certified Company

Guide to operation options

Manual spring & lock

This solution is suitable for our SeceuroShield 75 and SeceuroVision 75 range of shutters when there is no power available for electric operation or the shutter will not be opened very often.

This solution is not available for shutters over 2.8 m tall and is not recommended on applications with a large number of shutters due to the time required to open and close all the shutters.

Electric tube motor

This solution is suitable for our SeceuroShield 75 and SeceuroVision 75 range of shutters where single phase power is available. In commercial and retail applications this product offers a more aesthetic solution than a shutter powered by an external motor and also requires less space to install.

This solution is not suitable for high usage applications as this motor will take longer to cool than an external motor and is designed for less frequent usage. Tube motors are also generally slower in operation than an external motor.


Electric external motor

This solution is suitable for our SeceuroDoor 75 and SeceuroDoor Vision 75 range of shutters and our insulated range of steel shutters where 3 phase power is available. This method of operation is ideal for warehouse, distribution depot and car park applications, where you would expect there to be a high frequency of use. As well as a higher frequency of use, external motors are also usually faster during operation. These motors also enable larger opening sizes to be covered.

Peace-of-Mind Warranties

See [Page 12](#) for more information.

Table of Products and operation options available

		Operation options		
		Manual	Electric Tube Motor	Electric External Motor
Product type	SeceuroShield 75 Built-On Security Shutters	•	•	
	SeceuroVision 75 See-Through Shutters	•	•	
	SeceuroShield 7501 Insurance Approved Security Shutter		•	
	SeceuroDoor 75 3 Phase Industrial Doors			•
	SeceuroDoor Vision 75 3 Phase Industrial Doors With Vision			•
	SeceuroDoor 77 Insulated Industrial Doors			•
	SeceuroDoor 95 Insulated Industrial Doors			•



SeceuroShield | 75 Built-On Security Shutters

Commercial Shutter.

This is our original commercial shutter.

- Available in electric or manual operation
- Classic steel roller shutter with scrolled slat
- Can be powder coated any RAL / BS colour
- Will reverse coil if required (will increase coil size)
- Available with either traditional or continental specifications

Choose me if:

- ✓ The overall width is not greater than 7000 mm
- ✓ You need to blend the colour into your surroundings
- ✓ You prefer steel shutters over aluminium
- ✓ You want an internal or external fitted shutter
- ✓ You need electrical or manual operation

SeceuroVision | 75 See-Through Shutters

Commercial Vision Shutter.

- Strong single skin galvanised steel profile
- Delivers up to 25% vision (when back lit)
- Medium security office / commercial / industrial applications
- Spans widths up to 7000 mm
- Can be powder coated any RAL / BS colour
- Can be mixed with solid SeceuroShield 75 when only partial vision is required
- Will reverse coil if required (will increase coil size)
- Available with either traditional or continental specifications

Choose me if:

- ✓ You want a level of vision with a good level of security
- ✓ You want an internal or external fitted shutter
- ✓ You need electrical or manual operation



SeceuroShield 7501 (Solid)
Green Finish



SeceuroShield 7501 (Vision)
White Finish



SeceuroShield 7501
Insurance Approved Shutters For Offices

SeceuroShield | 7501 Insurance Approved Security Shutters

Insurance approved security shutters tested to Loss Prevention Standard 1175 – 1 (LPS1175-1).



The rigorous LPS 1175 burglary resistance standard is operated by the Loss Prevention Certification Board (LPCB). LPCB are the UK's leading independent certification body and the LPS 1175 standard is recognised and endorsed by 16 organisations including the Association of British Insurers and the Association of Police Officers.

- Available as solid or perforated
- Strong single skin galvanised steel profile
- Medium security office / commercial / industrial applications
- Spans widths up to 6000 mm
- Can be powder coated any RAL / BS colour
- Flexibility to mix solid and vision slats together when only partial vision is required
- Will reverse coil if required (will increase coil size)
- Available with either traditional or continental specifications

Traditional Design

Traditional shutter construction employing steel channel and angle guides with electric or manual operation.

- Stronger construction, more suitable for larger sizes
- Endplate attached to angle therefore more suitable for shutters where the headplate requires additional support

Continental Design

A shutter with a neat continental style head box and aluminium guides for higher grade installations, the design facilitates easier installation than traditional shutters.

- Aluminium guide width 90 mm
- Neat design



SeceuroDoor Industrial Doors
For Warehouses



SeceuroDoor Industrial Doors
For Offices



SeceuroDoor Industrial Doors
For Agricultural Buildings

SeceuroDoor | 75 3 Phase Industrial Doors

Galvanised steel 3 phase industrial door.

Steel roller shutter with scrolled slat profile. A popular choice for medium security retail and industrial applications.

- Classic steel roller shutter with scrolled slat
- Can be powder coated any RAL / BS colour
- Your choice of our standard or LT external motor see **Page 8**
- Available with 20swg or 22swg steel slat
- Choice of 4 guide angle arrangement options
- Can have partial vision when ordered with SeceuroDoor Vision 75 Slats
- Maximum width 7000 mm
- Maximum height 7000 mm
- Maximum area 49 m²

SeceuroDoor | Vision 75 3 Phase Industrial Doors With Vision

Galvanised steel 3 phase industrial door with vision.

All the benefits of the SeceuroDoor 75 but with the addition of vision.

- Strong single skin galvanised steel profile
- Delivers up to 25% vision when back lit
- Suitable for commercial, industrial and retail applications
- Provides an attractive alternative to the traditional steel shutter
- Can be powder coated any RAL / BS Colour
- Your choice of our standard or LT external motor see **Page 8**
- Available with 20swg or 22swg steel slat
- Choice of 4 guide arrangement options
- Can be used in conjunction with SeceuroDoor 75 to give partial vision
- Maximum width 7000 mm
- Maximum height 7000 mm
- Maximum area 49m²



SeceuroDoor Insulated
Hardened Steel Insulated 3 Phase Door



SeceuroDoor Industrial Doors
For Warehouses



SeceuroDoor Insulated
Slat Profile

SeceuroDoor | 77 Insulated Industrial Doors

Insulated industrial 3 phase door.

Our Insulated Commercial Shutter combines all the qualities of our robust SeceuroDoor 75 but with the added benefit of insulation.

Thermal and Acoustic Insulation

Minimal thermal bridges and the use of fine-pored PU rigid foam infill ensure good thermal insulation whilst curtain and sealing technology used around the entire shutter reduce noise from both inside and outside.

- Heat transmission performance for the 77 mm single slat profile 4.01 W/(m² K)

77 mm slat:

- ✓ Max width 6000 mm
- ✓ Max height 5000 mm
- ✓ Max area 20 m²
- ✓ Your choice of standard or LT external motor see **Page 8**
- ✓ Can be powder coated any colour

SeceuroDoor | 95 Insulated Industrial Doors

Hardened steel insulated 3 phase door.

The special 'full hard' steel makes this profile especially resistant to damage and reduces deflection. With the option of interior and exterior identical colour coating our insulated shutter can easily be blended into the look of any building yet is also available with a galvanised finish.

Thermal and Acoustic Insulation

Minimal thermal bridges and the use of fine-pored PU rigid foam infill ensure good thermal insulation whilst curtain and sealing technology used around the entire shutter reduce noise from both inside and outside.

- Heat transmission performance for the 95 mm single slat profile 3.9 W/(m² K)

95 mm slat:

- ✓ Max width 7000 mm
- ✓ Max height 7000 mm
- ✓ Max area 49 m²
- ✓ Your choice of standard or LT external motor see **Page 8**
- ✓ Can be powder coated any colour



SeceuroDoor Industrial Doors
For Offices

External motor options

SeceuroDoor drive external motor comparison	SeceuroDoor LT motor option	Standard SeceuroDoor motor option
Description	Inboard motor arrangement, linked to axle by a chain, additional safety brake required	Direct drive external motor with integral safety brake
Operating speed (Average speed per m, the first m when opening is slower than this as the closed slats open up)	Approx. 13 seconds/m	Approx. 5 seconds/m
Recommended frequency of use	Open and closed a couple of times per day	Up to 20 open and close cycles per hour, higher usage possible with an upgrade
Installation limit setting	Mechanical, high level, motor	Digital, low level, control unit
Power supply	High level to the motor	Low level to the control unit
Standard control unit	Push button station	Push button station with digital display indicating current status
Price level	Low	High
Typical applications	Agricultural buildings, low frequency of usage application, single phase power supply, speed of operation and potential building heat loss not important	Warehouse, distribution depot, car park, high frequency of use, 3 phase power supply, speed of operation and reduction in building heat loss important



SeceuroDoor Industrial Doors
For Distribution Depots

Installation Options for SeceuroDoor Industrial Door

As standard this product is designed for face fit installations only around the opening. Price available on application for when doors need to be fitted within the opening.

We are able to offer four variations of guide angle arrangement, the appropriate solution will depend on the structure the product is being fitted to and the application.

Order forms are available for each arrangement type.

Arrangement	Guide angle attached to end plate	Guide angle inset or outset
Face fix	No	Outset
Flag	Yes	Outset
Flag inset	Yes	Inset
Closed steel	No	Inset

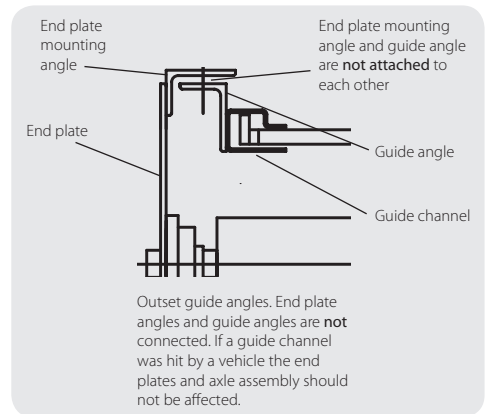
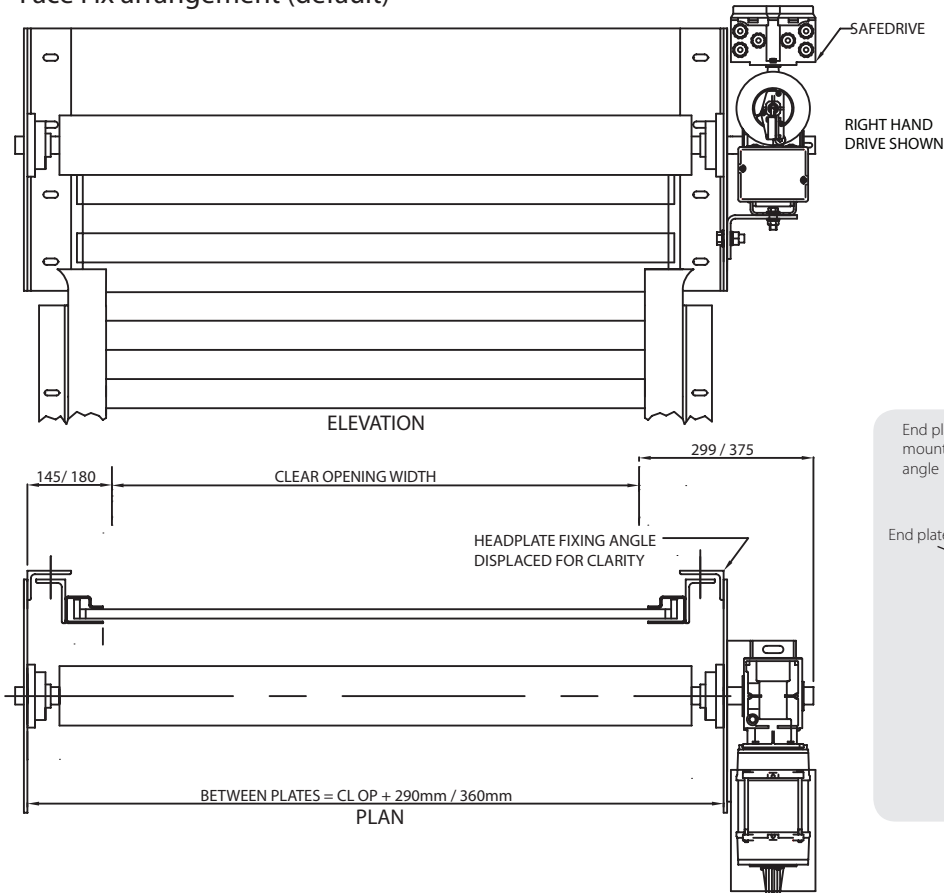
Guide angle arrangement diagrams

See **Page 10** for more information.

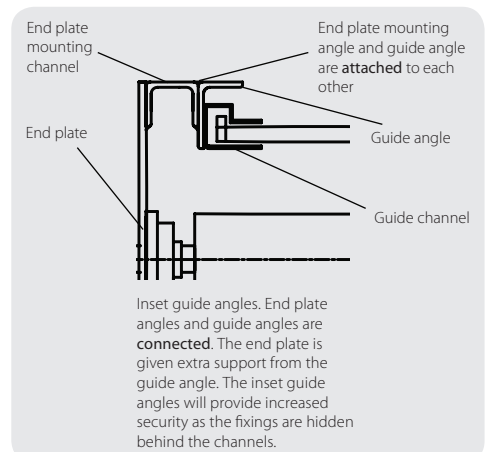
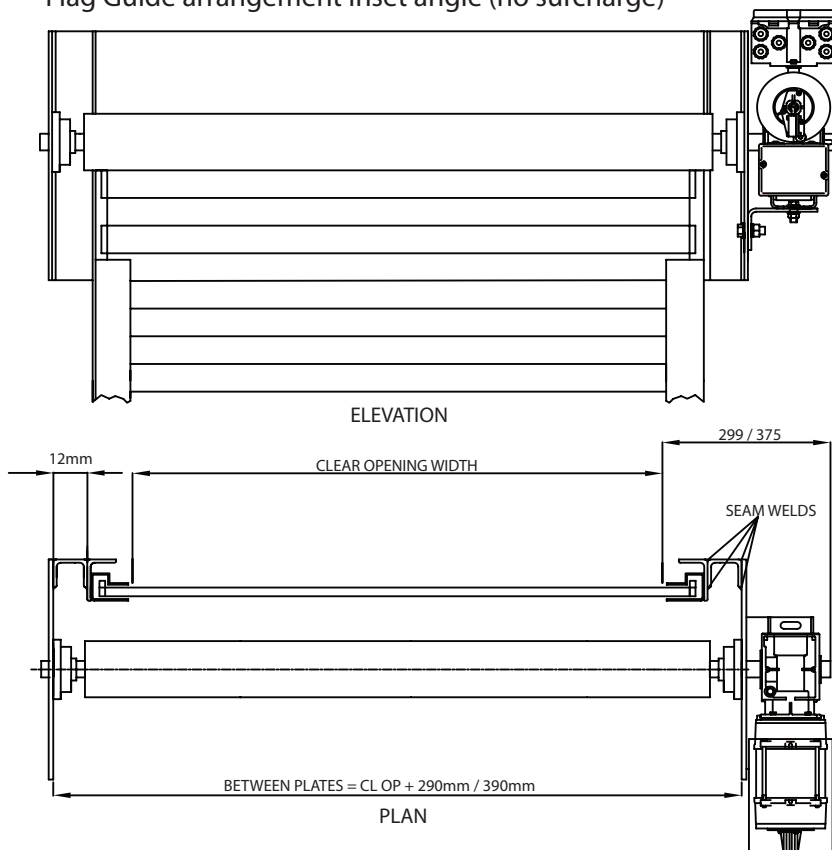
Guide angle arrangement diagrams

for SeceuroDoor 3 Phase Shutters

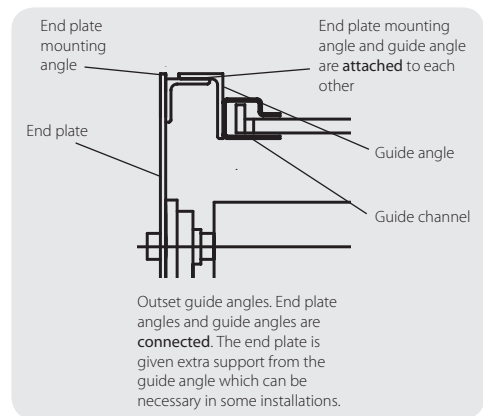
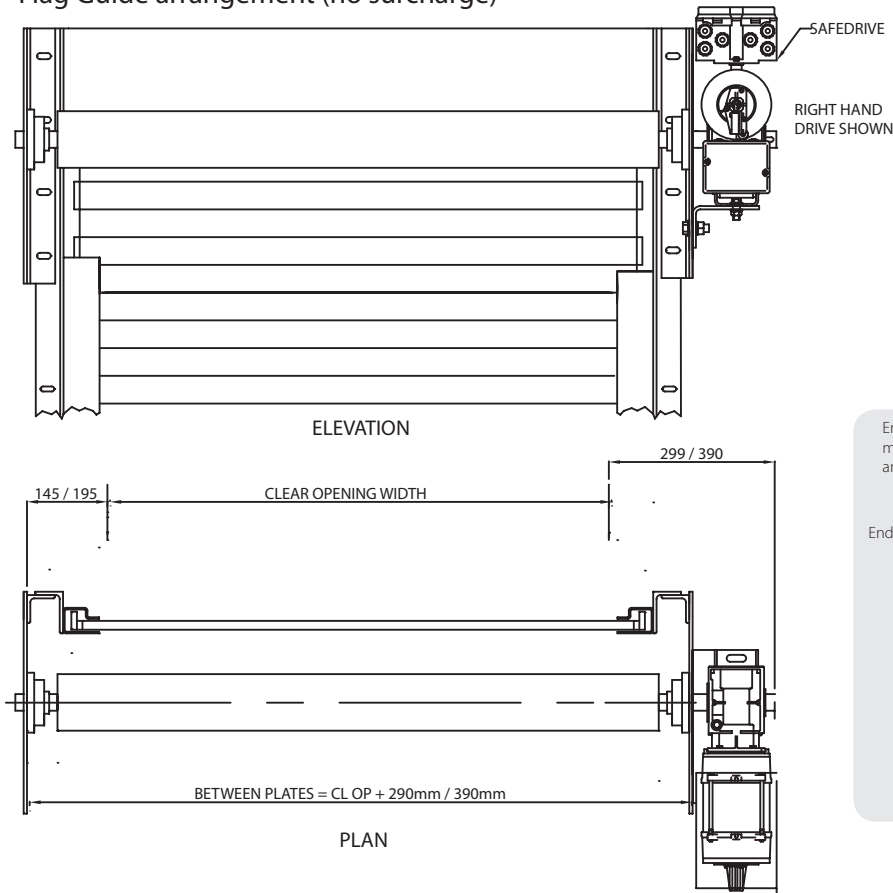
Face Fix arrangement (default)



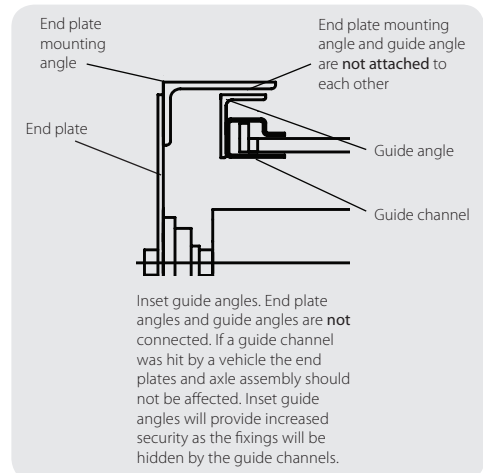
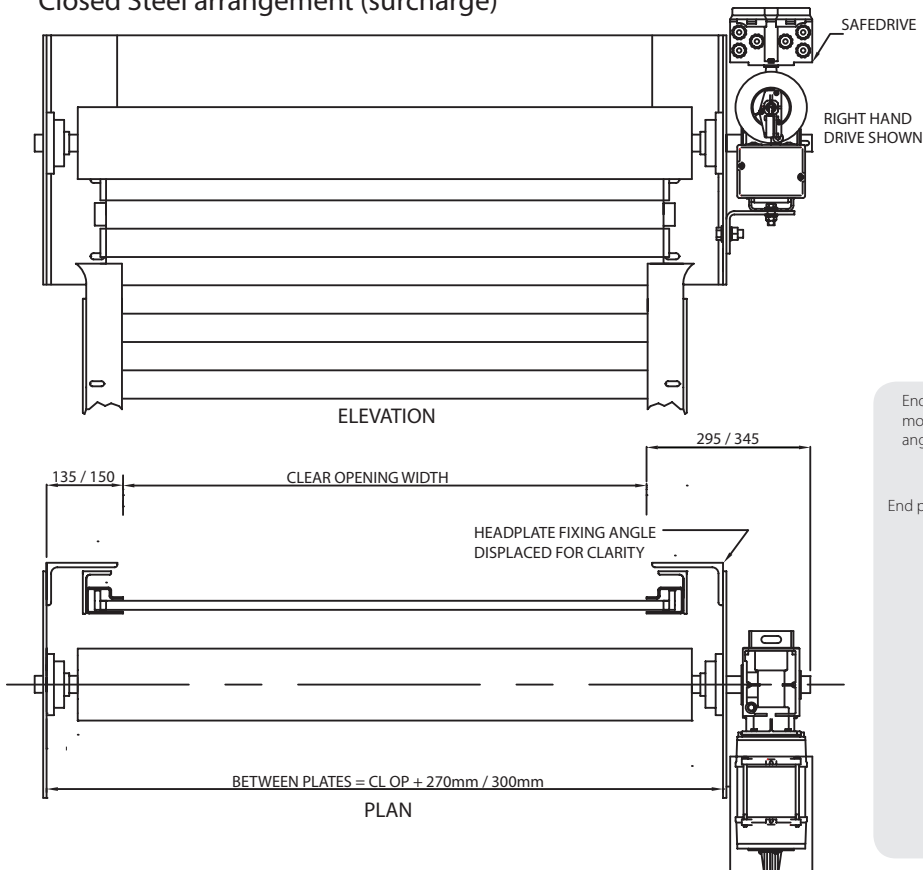
Flag Guide arrangement inset angle (no surcharge)



Flag Guide arrangement (no surcharge)



Closed Steel arrangement (surcharge)



Reasons to Choose SeceuroDoor

- ✓ A name you can trust
When buying a SeceuroDoor shutter you can be reassured by the values behind the name. Every SeceuroDoor shutter is CE marked and SWS UK is an ISO 9001:2000 assessed company.
- ✓ Expert advice
With a local expert on hand you can be confident in choosing a product that suits your needs and provides a seamless finish to your property.
- ✓ Manufactured in the UK
Using the latest machinery and equipment, all SeceuroDoor products are proudly manufactured and assembled in the UK.
- ✓ A solution for everyone
With so much choice SeceuroDoor products can accommodate most industrial door requirements, whether you need insulation, vision, or are looking for a solution for a specific budget.
- ✓ Engineered to perfection
Through continuous development and specialist engineering, SeceuroDoor products offer unrivalled quality and the most advanced specifications.

The importance of conformity and CE marking

To comply with the Machinery Directive both the shutter and the motor and controller used in the installation must have a **Declaration of Incorporation** from the manufacturer.

On completion of the installation the installer must provide a **Declaration of Conformity** and apply a CE mark giving details of the installation to the shutter / motor and controller combination, which is now classed as a machine.

The installer must issue to the customer a Declaration of Conformity, maintenance and operation instructions on the completion of the installation.

The installer must hold copies of both the Declaration of Incorporation and the Declaration of Conformity on a technical file for inspection by the relevant authorities.

If any of the above requirements are not fulfilled the Installation is illegal.

Please ensure for your own safety and peace of mind that whoever installs your electric motor and controller is both willing and able to fulfil these requirements; if they are not – do not use them.

As a member of the DHF we CAN and WILL install your motor and controller safely and legally.

Peace-of-Mind Warranties

The 3 Phase Standard and LT motor carry a 1 year guarantee. All SeceuroDoor products are guaranteed against defect of material or workmanship by SWS UK, subject to correct installation, maintenance and operation, for a period of 1 year from the date of purchase. The Somfy Motor carries a 5 year guarantee.



Alliance Security Installations
5 David Farm Close
Middleton
Manchester
M24 2DF

